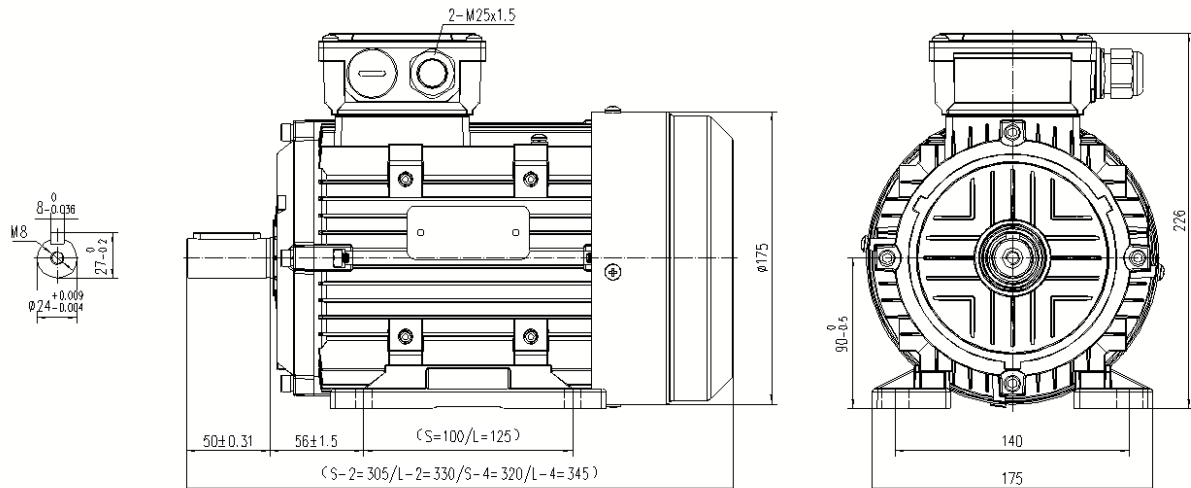


Type **NAH90L-2-N IE3**

Cod.

Mounting position

IM	B3
IM	1001



Electrical data			
Rated motor power	2.2		kW
Rated motor speed	2890		min ⁻¹ 50Hz
	3468		min ⁻¹ 60Hz
Rated motor frequency	50		Hz
Rated motor voltage(+/-10%)	230		VΔ/50Hz
	400		VY/50Hz
	280		VΔ/60Hz
	480		VY/60Hz
Rated motor torque	7.26		Nm (Mn)
Rated motor current	7.65	VΔ/50Hz	A (In)
	4.40	VY/50Hz	A (In)
Starting motor current	8.3		xIn
Starting motor torque	3.0		xMn
Breakdown motor torque	3.2		xMn
Starting			D.O.L.
Efficiency class	IE3		
Efficiency	50Hz	60Hz	
	86.1	86.5	100% load
	86.9	87.4	75% load
	86.0	86.2	50% load
Power factor cosφ	0.85	0.85	100% load

General data		
Frame size	90	
Mounting	B3	
Weight	17.3	kg
Casing material	Aluminum	
Protection	IP	55
Insulation class/Temperature rise	F	
Tropicalization	Yes	
Vibration class	A	
Duty	S1	
Direction of rotation	Bidirectional	
Method of cooling	IC	411
Cable entry	2-M25x1,5	
Standards	IEC/DIN/ISO/DE/EN	
Execute at Standard	IEC 60034-1	
Feet removable	Yes	
Paintwork	7030	C2 standard
Thermal protections		

Site conditions	
Ambient temperature	from -20°C to +40°C
Altitude above sea level	1000 m

Mechanical data						
Noise level	LpA	67	dB(A)	Bearing DE side	6205-2RZ ZV3	
	LwA	69	dB(A)	Bearing NDE side	6205-2RZ ZV3	
Moment of inertia	0.00238		kgm ²	Average bearing lifetime	40000	h
Bearings type			cgjf	Relubrication interval L1 DE bearing	life	h
Lubricants for bearings	See installation and maintenance manual			Relubrication interval L1 NDE bearing	life	h
				Compensation ring	DE SIDE	standard